

SOLAR HOT WATER SYSTEM FREEZE PROTECTION VALVES

SOLAR COLLECTOR & EXPOSED PIPING ANTI-FREEZE SOLUTION

Keep your solar collectors and exposed pipes from freezing with the Vernatherm solar freeze protection valve. These Vernatherm products contain thermal actuators that opens the valve when the temperature approaches freezing and closes upon temperature warm up. This continuous process of modulation; discharging near freezing water and replacing warmer water safely prevents panels and plumbing from freezing.



Our valves have patented features which prevent the seizing of the thermal actuators; a common problem among other freeze protection valves offered by our competition.

Product Features

- Discharge temperature set to 1.67C (35F) and 7.22C (45F)
- South African relief temperature set to 4.4C (40F)
- Internal filter screen to keep the valve mechanics clean
- UV stabilized body material
- FDA & NSF listed materials
- 10.34 bar (150 psi) maximum operating pressure
- Complete mechanical operation
- Small size for easy install
- Tamper resistant design
- Corrosion resistant materials
- Anti-insect discharge port
- Anti-seize feature ensuring longevity & durability
- Added pressure relief function with 35-P , 45-P & 40-PL valves
- NTP & BSPP thread choice



Freeze Protection
35-S & 45-S
40-SL

Freeze Protection Valves

Standard freeze protection functions

- Part # 40-AL Discharge Temp 4.4C (40F)
- Part # 40-SL Discharge Temp 4.4C (40F)
- Part # 35-A - Discharge Temp 1.67C (35F)
- Part # 35-S - Discharge Temp 1.67C (35F)
- Part # 45-A - Discharge Temp 7.22C (45F)
- Part # 45-S - Discharge Temp 7.22C (45F)

Freeze Protection Valves with Pressure Regulation

For those needing freeze protection and pressure regulation; these valves function as a separate pressure relief valve to eliminate dangerous pressure buildup. (Relief Pressure @ 6.89 bar (100 psi))

- Part # 40-PL Discharge Temp 4.4C (40F) w/ Pressure Relief
- Part # 35-P - Discharge Temp 1.67C (35F) w/ Pressure Relief
- Part # 45-P - Discharge Temp 7.22C (45F) w/ Pressure Relief



Freeze & Pressure
Protection
35-P & 45-P
40-PL



Freeze Protection
35-A & 45-A
40-AL

WARNING: Do not expose valves to temperatures above 300F (148.8c) as this may damage the valve.

SOLAR HOT WATER SYSTEM FREEZE PROTECTION VALVES

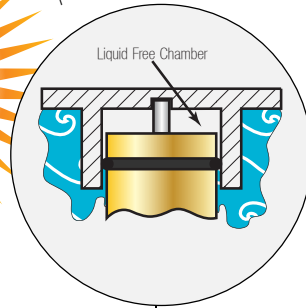
SOLAR COLLECTOR & EXPOSED PIPING ANTI-FREEZE SOLUTION PATENTED DESIGN FEATURES UNLIKE ANY OTHER SOLUTION

Introducing the world's first and only non-electric freeze protection valve designed specifically for solar hot water systems that will not seize over time due to corrosion.

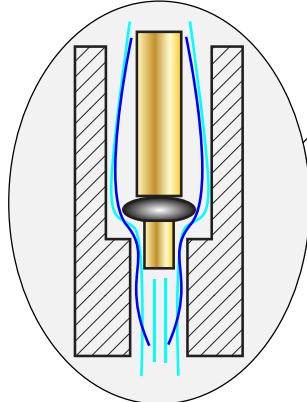
A patented liquid tight piston chamber inside of the valve prevents any liquid from coming into contact with the piston responsible for opening and closing the valve, eliminating a common problem among our competitors.

- ❑ Patented anti seize feature
- ❑ Small size for easy install
- ❑ Tamper resistant design
- ❑ Corrosion resistant materials
- ❑ Non-electric function
- ❑ Anti-insect body design
- ❑ Discharge temperatures set to 1.67C (35F) & 7.22C (45F)
- ❑ Specific South African relief temp set @ 4.4C (40F)
- ❑ UV stabilized body material
- ❑ FDA and NSF listed materials
- ❑ 6.89 bar (100 psi) maximum operating pressure
- ❑ Complete mechanical operation
- ❑ Positive seal ensuring no leaks
- ❑ NPT & BSPP thread choice

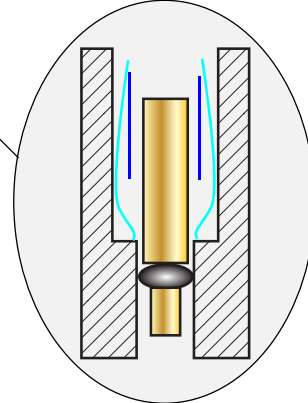
Anti-Seize Technology



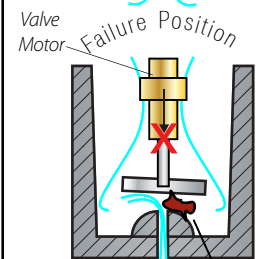
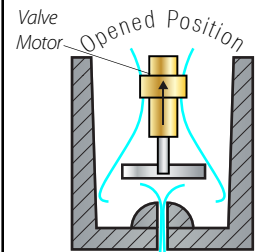
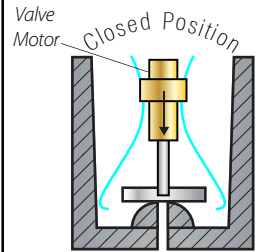
OPEN POSITION



CLOSED POSITION



COMPETITOR'S CLOSE METHOD



DEBRIS CAUGHT @ SEAL

WARNING: Do not expose valves to temperatures above 300F (148.8c) as this may damage the valve.